



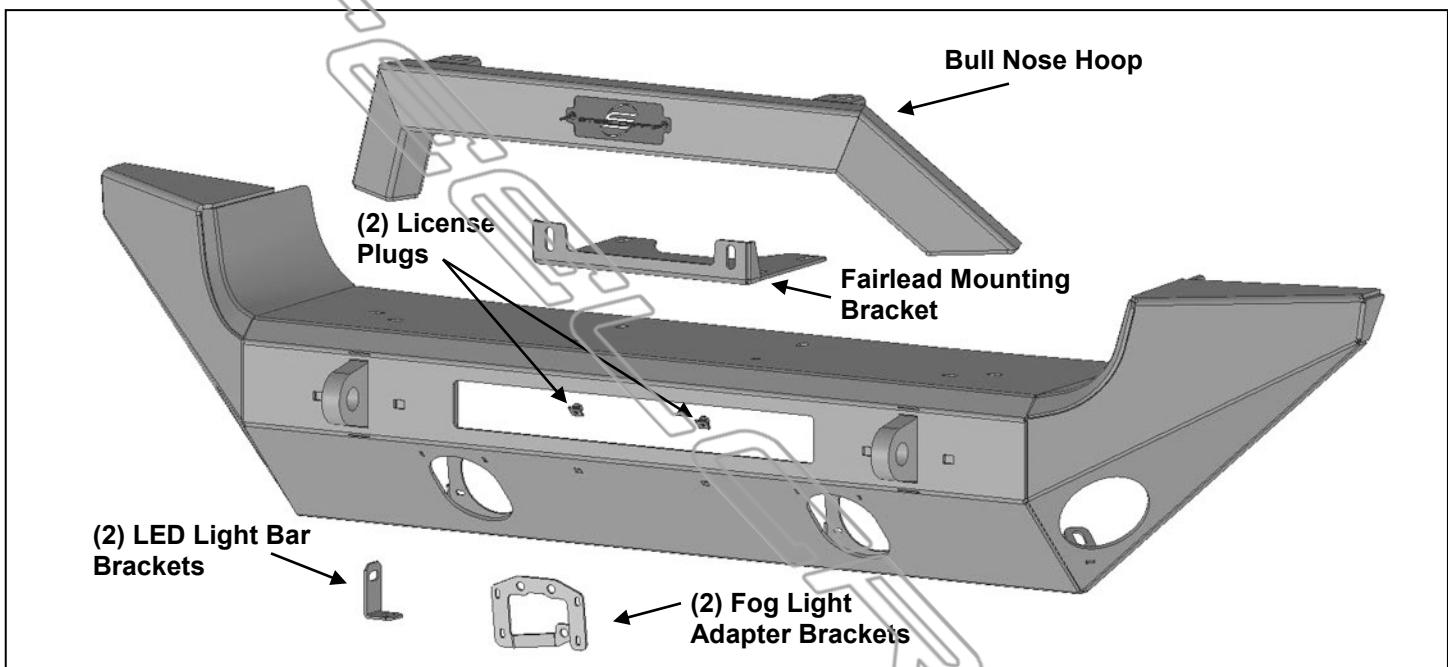
INSTALLATION INSTRUCTIONS

**1PC FRONT BUMPER
07-17 JEEP JK WRANGLER**

**1PC FRONT BUMPER
07-17 JEEP JK WRANGLER**

PARTS LIST:

1	1PC Front Bumper	2	8mm x 25mm Hex Bolts
1	Bull Nose Hoop	2	8mm x 16mm Hex Bolts
1	Fairlead Mounting Bracket	6	8mm x 24mm x 2mm Flat Washers
8	12mm x 35mm Hex Bolts	4	8mm Lock Washers
16	12mm x 24mm x 2.5mm Flat Washers	2	8mm Hex Nuts
8	12mm Lock Washers	2	Fog Light Adapter Brackets
8	12mm Hex Nuts	8	4mm x 20mm Button Head Bolts
4	10mm x 25mm Hex Bolts	16	4mm x 8.65mm x 0.8mm Flat Washers
4	10mm Lock Washers	8	4mm Nylon Lock Nuts
4	10mm x 30mm x 2.5mm Flat Washers	1	2.5mm Allen Wrench (4mm)
2	LED light Brackets	2	License Plate Plugs



PROCEDURE:

REMOVE CONTENTS FROM BOX. VERIFY ALL PARTS ARE PRESENT. READ INSTRUCTIONS CAREFULLY BEFORE STARTING INSTALLATION. CUTTING MAY BE REQUIRED. ASSISTANCE IS RECOMMENDED.

1. Start under the front bumper of the vehicle and remove the plastic lower splash guard, **(Figure 1)**.
2. On models with factory fog lights, unplug fog lights before removing bumper, **(Figure 2)**.
3. Remove the clips fastening the plastic fill panel to the top of frame behind the bumper. Slide fill panel left or right to access bumper hardware from above, **(Figure 3)**. **NOTE:** Bumper mounting hardware can also be accessed from below. With assistance, remove the front bumper bolts, **(Figures 4 & 5)**. Move the factory bumper to a stable surface. Remove fog lights if equipped, **(Figure 6)**.
4. **Bull Nose Hoop Installation, (optional):**
 - a. Select the 1PC Bumper and Bull Nose Hoop. Attach the Bull Nose Hoop to the Bumper with the included (4) 10mm Hex Bolts, (4) 10mm Lock Washers and (4) 10mm Flat Washers, **(Figure 7)**.
5. LED light bar, fog lights and/or winch must be attached to the Front Bumper before mounting the Bumper to the vehicle. **If LED light bar, fog lights and/or winch will not be installed, skip to Step 6.**

LED light bar installation, (LED light bar sold separately).

 - a. Select (2) LED Light Brackets. Attach the LED Brackets to the top of the (2) mounting tabs welded onto the back of the bumper with the included (2) 8mm x 25mm Hex Bolts, (4) 8mm Flat Washers, (2) 8mm Lock Washers and (2) 8mm Hex Nuts, **(Figure 8)**.

**1PC FRONT BUMPER
07-17 JEEP JK WRANGLER**

- b. Next, attach the light bar to the LED Brackets with the included (2) 8mm x 16mm Hex Bolts, (2) 8mm Lock Washers and (2) 8mm Flat Washers, (**Figures 8 & 9**). Do not fully tighten hardware at this time. **NOTE:** "L" Brackets are designed for 8mm light mounting hardware only. Modify "L" Brackets if necessary to install hardware larger than 8mm.

Factory fog lights Installation:

- a. Attach the factory fog lights, (if equipped), to the mounting brackets in the back of the bumper with (8) 4mm Button Head Screws, (16) 4mm Flat Washers and (8) 4mm Nylon Lock Nuts, (**Figure 10**). **IMPORTANT:** Do not overtighten fog light hardware or damage to the fog light may result.
- b. **NOTE:** Use the Adapter Bracket for the 3-pin fog lights, as shown in **Figure 6**. Slide the fog light into the Adapter Bracket, (**Figure 11**), and attach the Adapter Bracket to the mounting bracket in the back of the bumper with the included 4mm hardware.

Winch Installation, (winch not included):

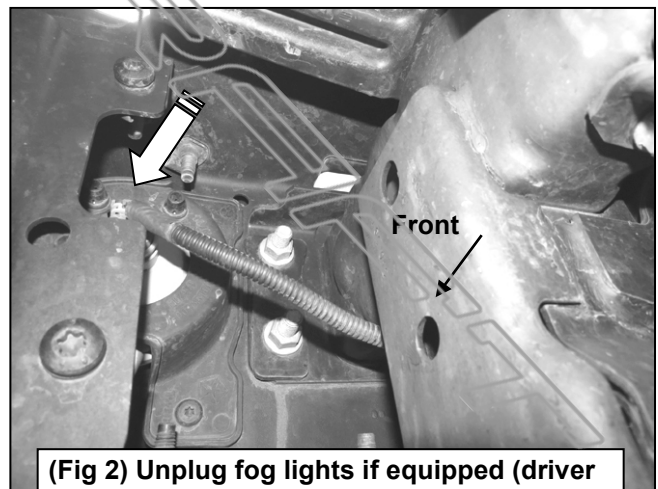
- c. Use the Fairlead Bracket to help install the winch, (**Figure 12**). Follow the manufacturer's instructions to properly install winch.
6. With assistance, line up the bumper mounting plates on the back of the Bumper with the ends of the frame. Attach the Bumper assembly to the frame with (8) 12mm x 35mm Hex Bolts, (16) 12mm Flat Washers, (8) 12mm Lock Washers and (8) 12mm Hex Nuts, (**Figure 13**). **NOTE:** Depending on the model year, Bumper may attach to end of frame with 2—4 hex bolts per side. Adjust quantity of hardware as required. Do not fully tighten hardware at this time.
 7. Stand back from the vehicle and check to see that the Bumper is centered and level on the vehicle and adjust as required. Once properly aligned, fully tighten all hardware.
 8. On bumpers with outer accessory lights installed, follow the light manufacturer's instructions to properly attach the lights to the vehicle's electrical system.
 9. Reattach the wiring harness for the factory fog lights, if equipped.
 10. Do periodic inspections of the installation to make sure that all hardware is secure and tight.

To protect your investment Do not use any type of polish or wax that may contain abrasives that could damage the finish. Mild soap may be used to clean the Front Bumper.

Passenger/Right Side Installation Pictured

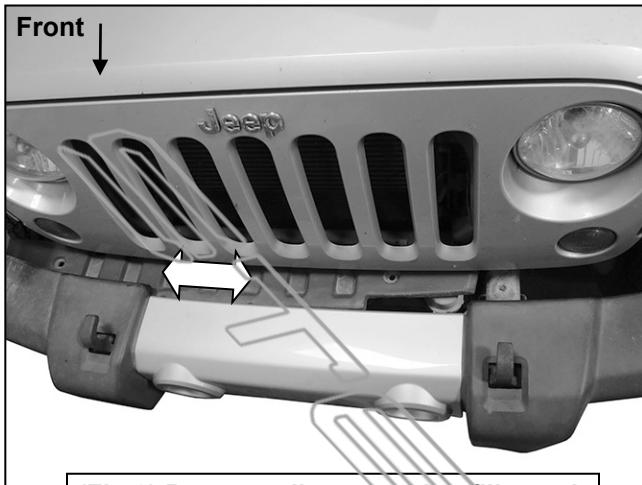


(Fig 1) Remove plastic splash guard from bumper

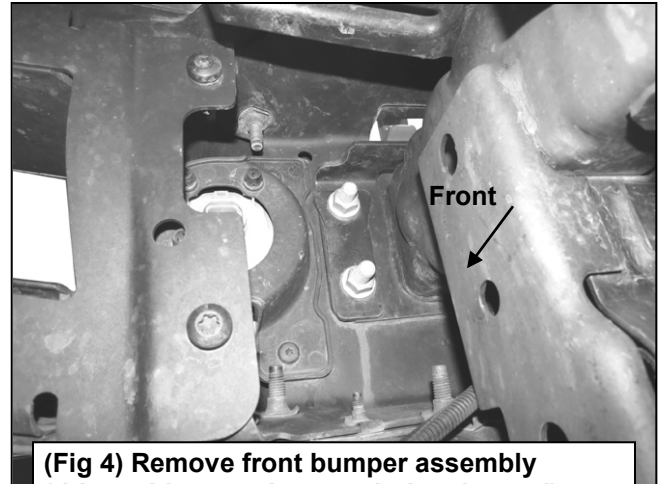


(Fig 2) Unplug fog lights if equipped (driver side outer bumper bolts pictured)

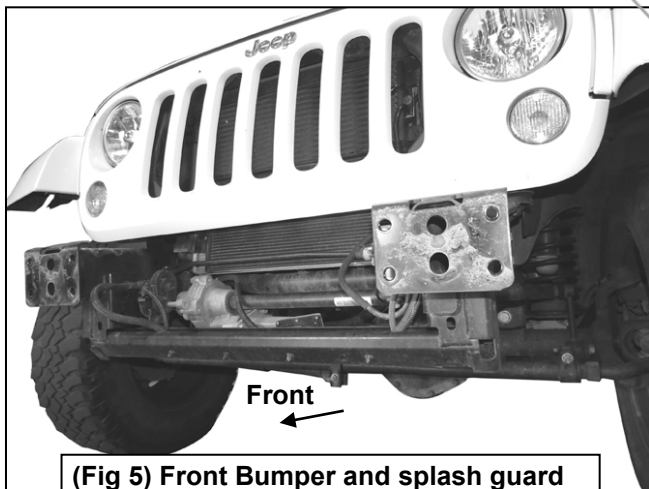
Passenger/Right Side Installation Pictured



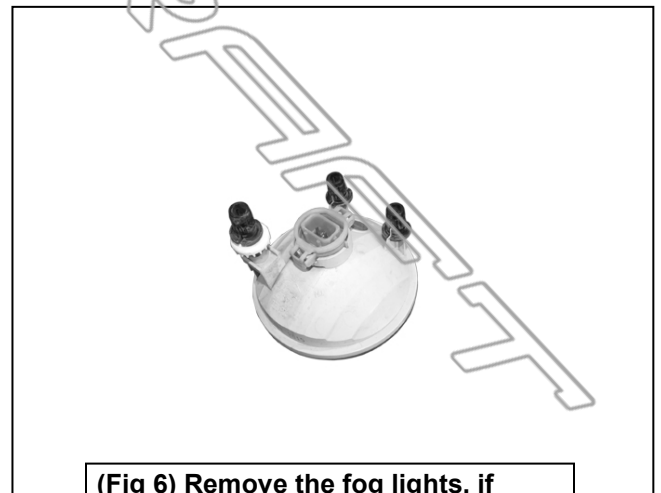
(Fig 3) Remove clips attaching fill panel to top of frame. Slide panel left or right to access bumper bolts from above



(Fig 4) Remove front bumper assembly (driver side outer bumper bolts pictured)



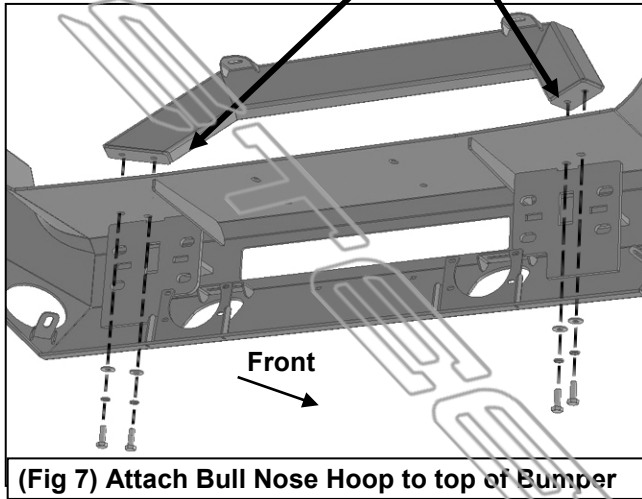
(Fig 5) Front Bumper and splash guard removed from vehicle pictured



(Fig 6) Remove the fog lights, if equipped (3-pin fog light pictured)

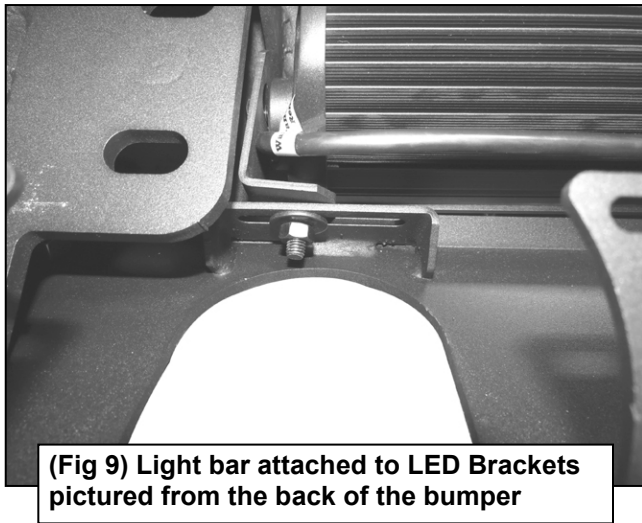
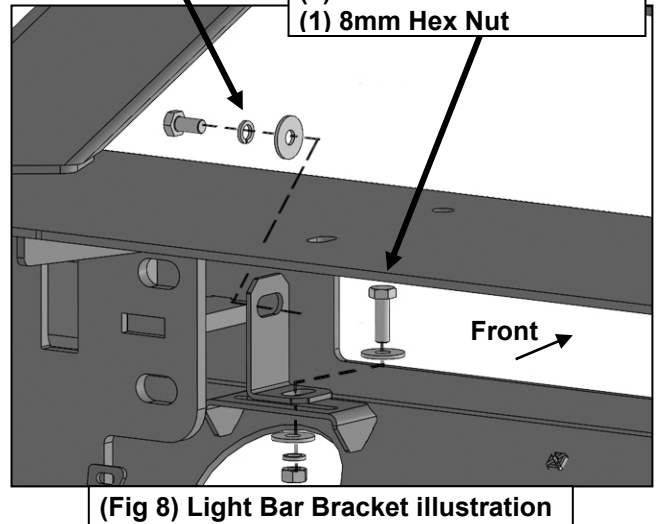
Driver/left Side Installation Pictured

- (4) 10mm Hex Bolts
- (4) 10mm Lock Washers
- (4) 10mm Flat Washers

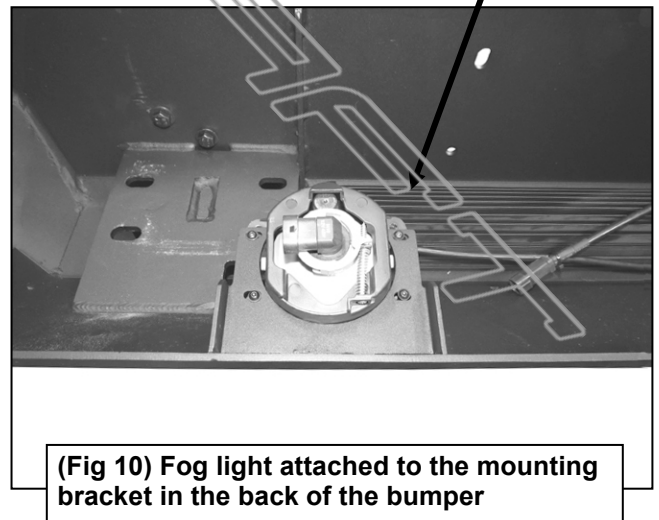


- 8mm x 16mm Hex Bolt
- 8mm Lock Washer
- 8mm Flat Washer

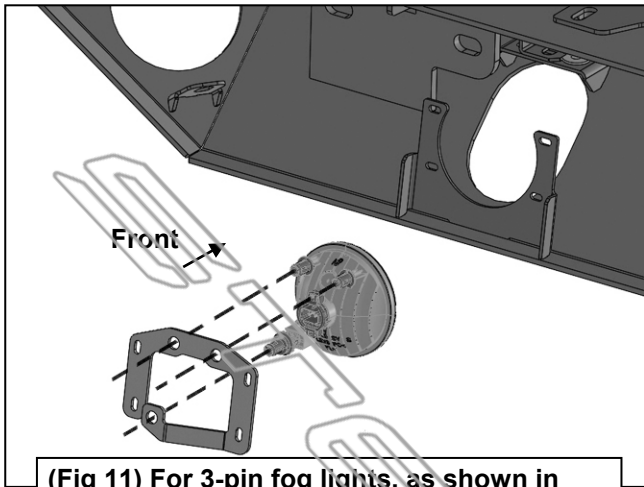
- (1) 8mm x 25mm Hex Bolt
- (2) 8mm Flat Washers
- (1) 8mm Lock Washer
- (1) 8mm Hex Nut



- (4) 4mm x 20mm Button Head Screws
- (8) 4mm Flat Washers
- (4) 4mm Nylon Lock Nuts

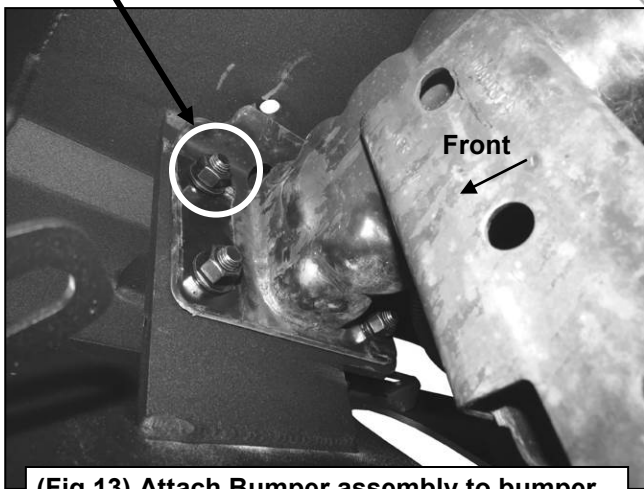


Driver/Left Side Installation Pictured

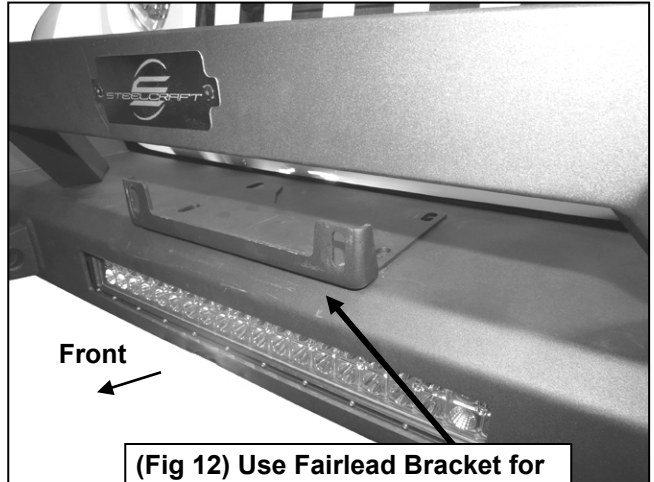


(Fig 11) For 3-pin fog lights, as shown in Figure 6, use the Adapter Brackets to properly install fog lights to Bumper

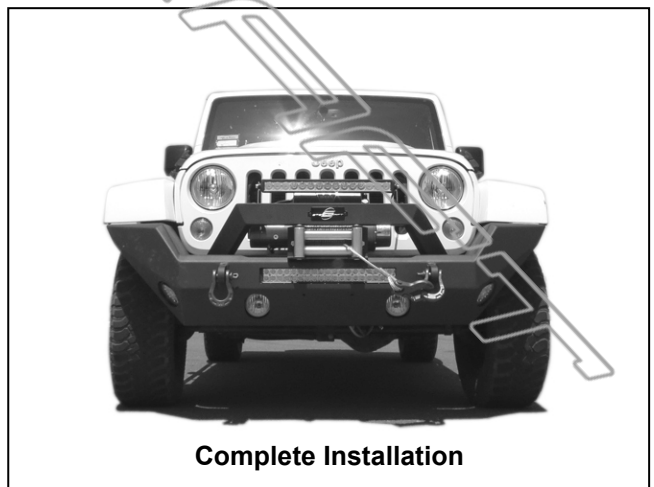
- (1) 12mm x 35mm Hex Bolt
- (2) 12mm Flat Washers
- (1) 12mm Lock Washer
- (1) 12mm Hex Nut



(Fig 13) Attach Bumper assembly to bumper mounting plates on ends of frame. Depending on model/year, installation may require 2—4 Hex Bolts per factory bumper mounting plate



(Fig 12) Use Fairlead Bracket for winch installation



Complete Installation